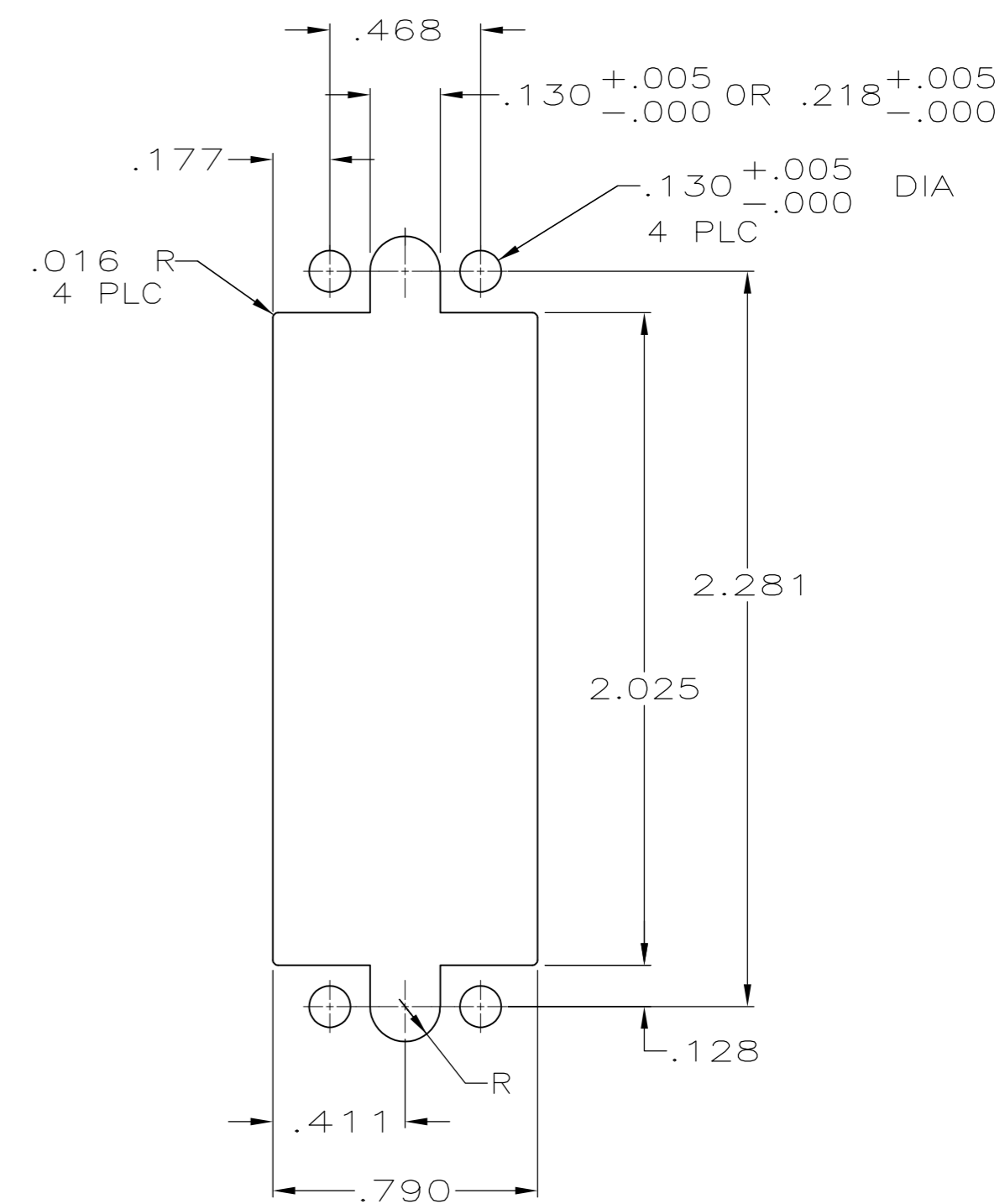
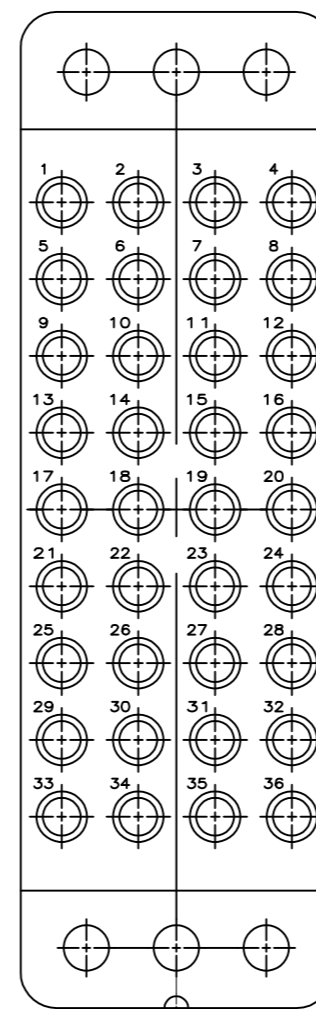
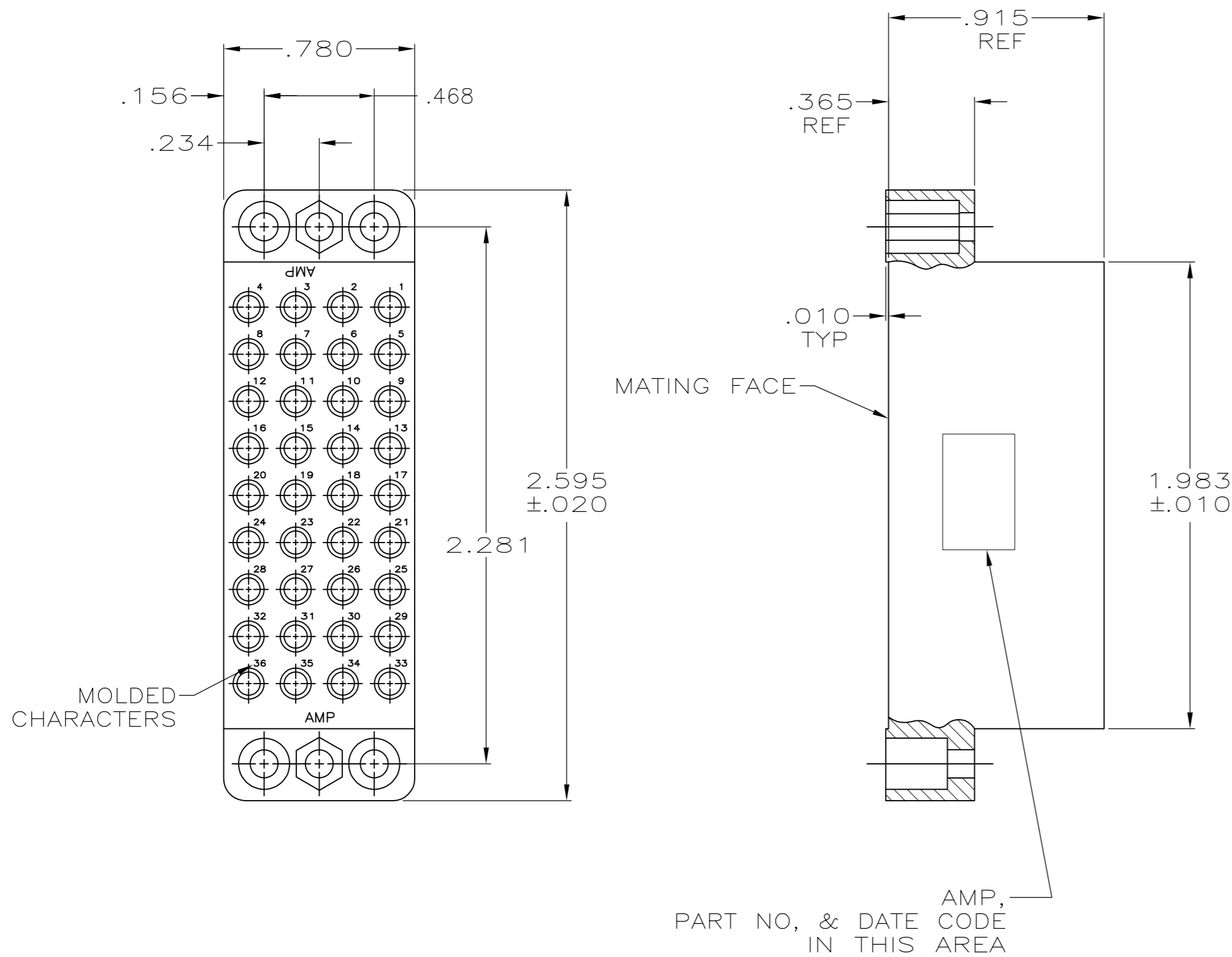


THIS DRAWING IS UNPUBLISHED. RELEASED FOR PUBLICATION
 © COPYRIGHT BY TYCO ELECTRONICS CORPORATION. ALL RIGHTS RESERVED.

LOC		DIST		REVISIONS			
P	LTR	DESCRIPTION	DATE	DWN	APVD		
FT	0	K	REVISED PER ECO-07-025670	11/6/07	SS	GS	



SUGGESTED PANEL CUTOUT

1. ACCOMODATES TYPE II OR III+ #16 SOCKET CONTACTS.

205076-2
PART NUMBER

THIS DRAWING IS A CONTROLLED DOCUMENT.		DWN B. MOYER 04/22/91	Tyco Electronics Corporation Harrisburg, PA 17105-3608	
DIMENSIONS: INCHES		CHK R. STONE 05/08/91	NAME	
TOLERANCES UNLESS OTHERWISE SPECIFIED:		APVD -	PRODUCT SPEC	
0 PLC ± -		APPLICATION SPEC	HOUSING, PLUG, 36 POSITION, M SERIES	
1 PLC ± -		WEIGHT	SIZE A2	CAGE CODE 00779
2 PLC ± -		CUSTOMER DRAWING	DRAWING NO C=205076	RESTRICTED TO
3 PLC ± .005		SCALE 2:1	SHEET 1 of 1	REV K
4 PLC ± -				
ANGLES ± -				
FINISH				
MATERIAL PHENOLIC PER MIL-M-14,				